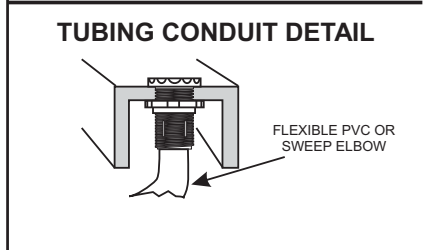
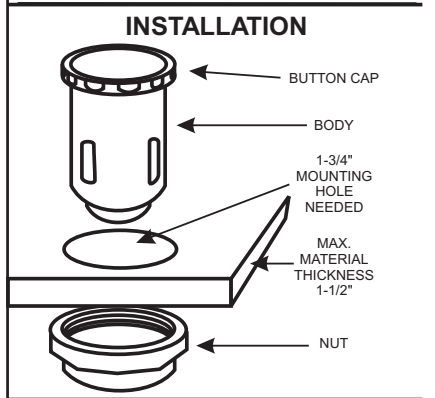
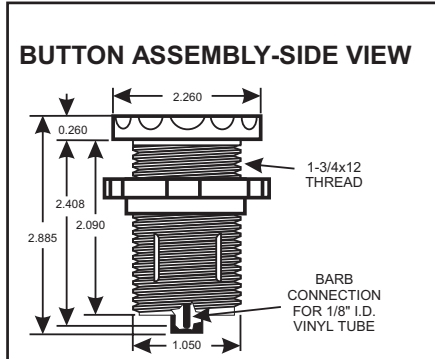
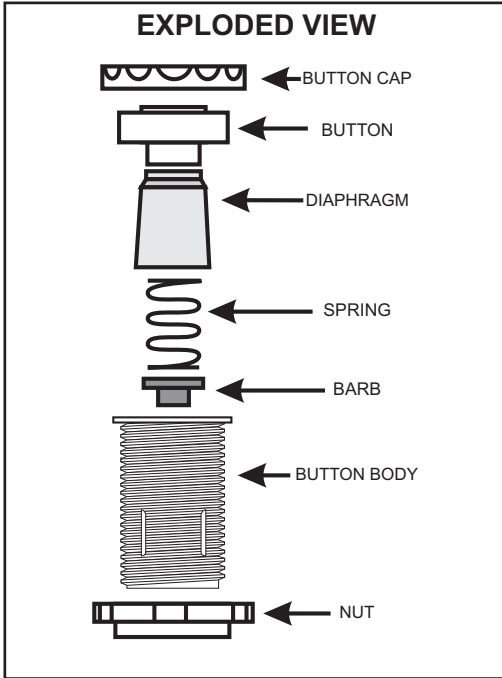


DESCRIPTION:

Designed for fiberglass, wood, and jetted spa applications. Over 150-foot control distance with Allied Innovations LLC momentary air sensor switches, or 15-foot control distance with Allied Innovations LLC latching air switches. The #10 button will operate all competitive air switches to their manufacturers' specifications. Available in LGC "Smooth" or American Products "Scalloped" style button cap.

COLORS: Black, Bone-Beige, White



CAUTION: Make sure vinyl tubing is free of kinks and protected from any rough edges or heater equipment. If tubing is to be routed outside of spa enclosure, install the tubing in a non-conductive conduit between the air button and the control. Use sweep elbows or form large-radius curves in the pipe with a heat gun. Flexible pipe may also be used. Do not use 90° elbows. Install only with non-conductive 1/8" I.D. vinyl tubing. Do not allow water or foreign materials to enter the tubing.

NOTE: Blowing into tubing introduces condensation from your breath. If the tubing must be blown out, use dry compressed air.

READ AND SAVE THESE INSTRUCTIONS