

Jandy®

Laminar Jet
with LED



Performance

Reliability

Technology

Laminar Jets – Sheer Entertainment

Jandy® Laminar Jets with LED create spectacular backyard water entertainment with dazzling nighttime lighting effects. They produce clear or lighted arcs of water as they silently enter your pool or spa.

KEY FEATURES

- Jandy Laminar Jets come standard with a built-in 12V LED light module offering vibrant lighting in nine (9) brilliant colors and five (5) festive color shows. Additionally the LED light intensity can be adjusted to your preference. Jandy Laminar Jets are also available with a fiber optic module that accepts lighted fiber optics.
- Jandy Laminar Jets interface easily with Aqualink RS and PDA controllers. Multiple jets can be combined and synchronized with Jandy's Pool and Spa LED lights. *...You Control The Show!*
- Jandy Laminar Jets are also available with the unique Pour-A-Lid™ option, enabling easy coordination with your deck finish.
- Jandy Laminar Jets are easily adjusted at the deck to create arcs of water up to 7 feet high and can project 8 feet into the pool. Flow can be adjusted with an innovative internal flow adjustment valve conveniently located inside the canister for easy adjustment and tuning. No more need to search for an external adjustment valve near the equipment or in the bushes.

EASE OF INSTALLATION

Jandy provides convenient LED lighting upgrade kits for previously installed laminar jet assemblies.

Jandy Laminar Jets are ready for pressure testing right out of the box, and the canister is equipped with both vertical and horizontal rebar tabs to help align the canister during construction.

As an extra layer of protection, Jandy Laminar Jets include a unique Finger Screen, which is easily serviceable in the feed line, to protect the unit from debris.

CONTROLLERS

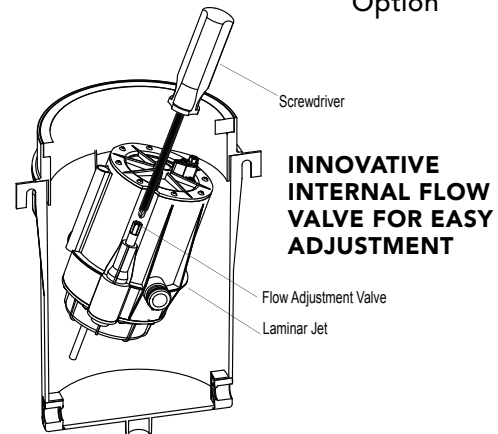
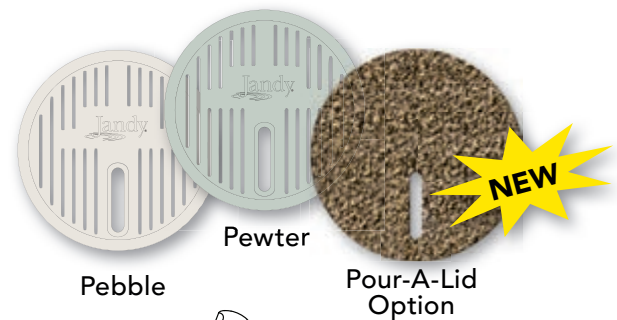
Completely programmable and customizable with 2 control system options:



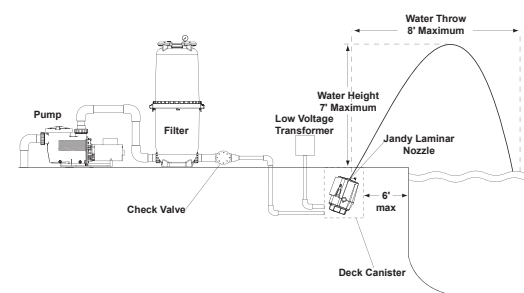
Aqualink® RS OneTouch™ Aqualink® RS PDA

Jandy Control Systems manage our complete line of technologically-advanced products.

DECK CANISTER LID OPTIONS



TYPICAL LAMINAR JET INSTALLATION



Laminar Jet Water Volume & Pressure Chart

Gallons (US GPM)	7.5	8.0	8.5
Inlet Pressure (PSI)	9.5	10.3	11.0
Height of Jet Ft.	5.0	6.0	7.0

Jandy®

ALL JANDY PRODUCTS WORK SEAMLESSLY TOGETHER

Pumps • Filters • Heaters • Heat Pumps • Controls • Lights
Water Purification • Valves • Water Features • Water Leveling
Cleaners • In-Floor • Pool Covers • Accessories

USA: 1.800.822.7933 • www.jandy.com • info@jandy.com

*Pour-A-Lid™ is a registered trademark of Stetson Development, Inc.
©2009 Zodiac Pool Systems, Inc. All rights reserved.